

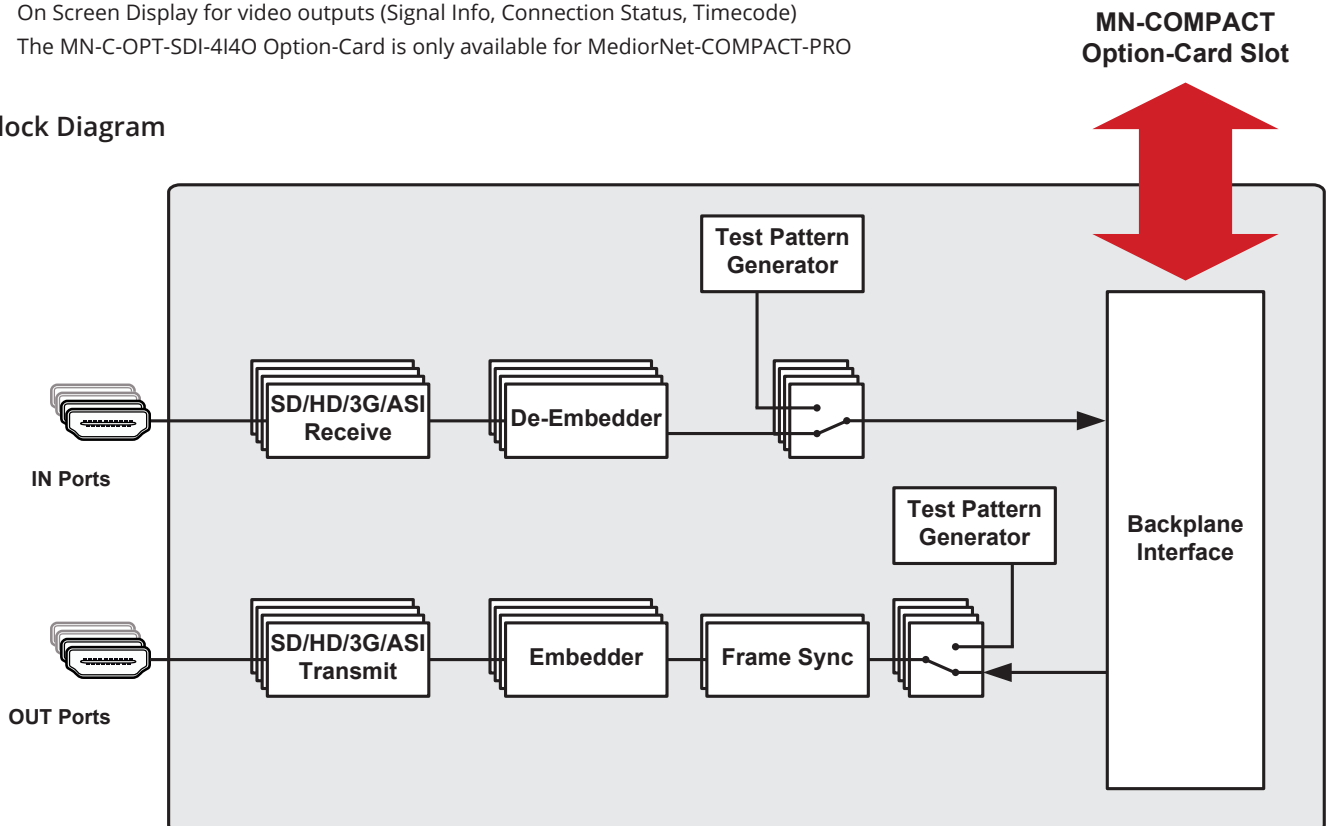
MediorNet MN-C-OPT-HDMI

The MN-C-OPT-HDMI-xxxx Option-Card provides inputs and outputs for HDMI Video signals.

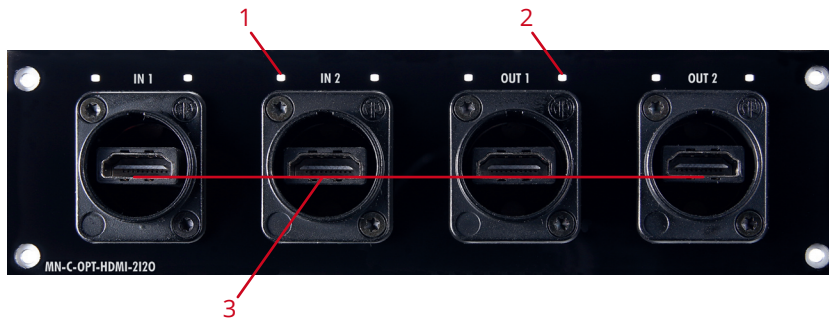


- HDMI-4I:
 - 4x HDMI 1.3a Inputs
- HDMI-4O:
 - 4x HDMI 1.3a Outputs
- HDMI-2I2O:
 - 2x HDMI 1.3a Inputs
 - 2x HDMI 1.3a Outputs
- Neutrik D-Type HDMI socket
- 8 Channel audio embedding / 2 Channel audio de-embedding
- HDCP is not supported
- All inputs and outputs support 3G/HD/SD-SDI/ASI Video signals
- Auto Format Detection
- Frame Synchronizer
- Video Delay
- Audio De-Embedder (4 groups) with Sample Rate Converter
- Audio Embedder (4 groups)
- Audio Delay for Embedder up to 1s in steps of 1ms
- Video Test Pattern Generator
- On Screen Display for video outputs (Signal Info, Connection Status, Timecode)
- The MN-C-OPT-SDI-4I4O Option-Card is only available for MediorNet-COMPACT-PRO

Block Diagram



MediorNet MN-C-OPT-HDMI



Legend

- 1) Status LEDs HDMI Inputs
- 2) Status LEDs HDMI Outputs
- 3) HDMI Ports

Status LEDs

	off	green	orange	red
Video In status	No input signal	Valid Video signal input	Test Pattern active	Invalid Video signal input
Video Out status	No output signal	Valid Video signal	Test Pattern active	Invalid Video signal on input, no output

Input

Format	HDMI 1.3a with embedded audio (2 channels)
Standards	SMPTE 424M, 292M, 259M
Signals	525 / 625, 720p / 1080i (50 / 59.94 / 60 Hz), 1080p (23.98 / 24 / 15 / 29.97 / 30 / 50 / 59.94 / 60 Hz)

Output

Format	HDMI 1.3a with embedded audio (8 channels)
Standards	SMPTE 424M, 292M, 259M
Signals	525 / 625, 720p / 1080i (50 / 59.94 / 60 Hz), 1080p (23.98 / 24 / 15 / 29.97 / 30 / 50 / 59.94 / 60 Hz)

System Transport Latencies

Video Transport Delay	min 150 μ s, max 1 Frame + 150 μ s (dependent on input phase)	Frame Sync Mode (default)
	500 μ s	Standard Latency
Digital Audio Delay	500 μ s (standard latency, independent of Network size / frame amount)	Source Sync Mode
		without sample rate converter
		with sample rate converter
	720 μ s + 500 μ s : 1220 μ s	48 kHz sample rate
	360 μ s + 500 μ s : 860 μ s	96 kHz sample rate
		+ standard latency

Overall

Environmental Temperature	-5 °C to +40 °C (Non-condensing)
Supply Voltage	12 VDC
Power Consumption	8 W
Dimensions (w×h×d)	171 mm × 50 mm × 160 mm
Weight	480 g